

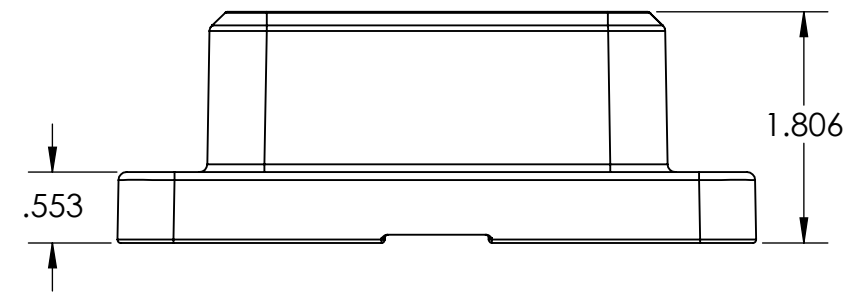
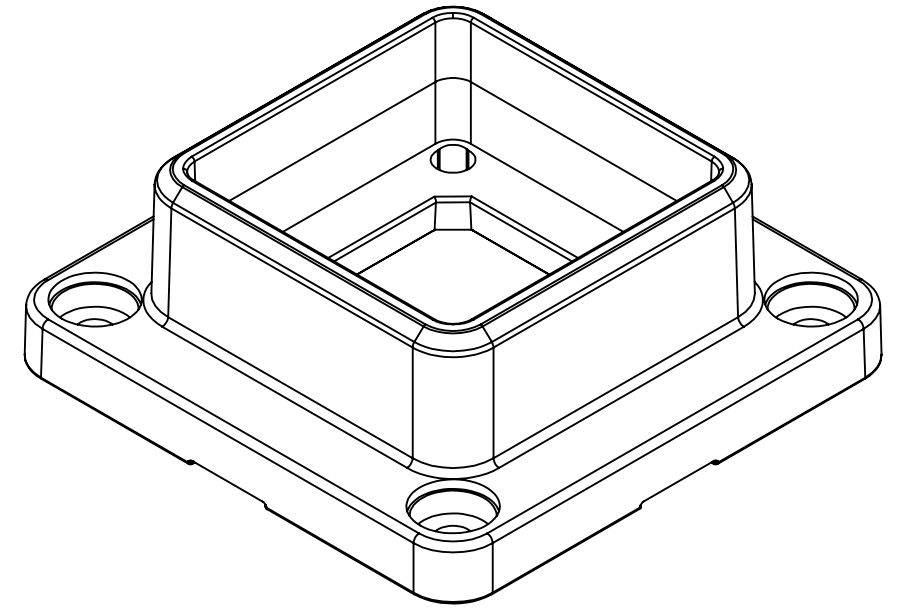
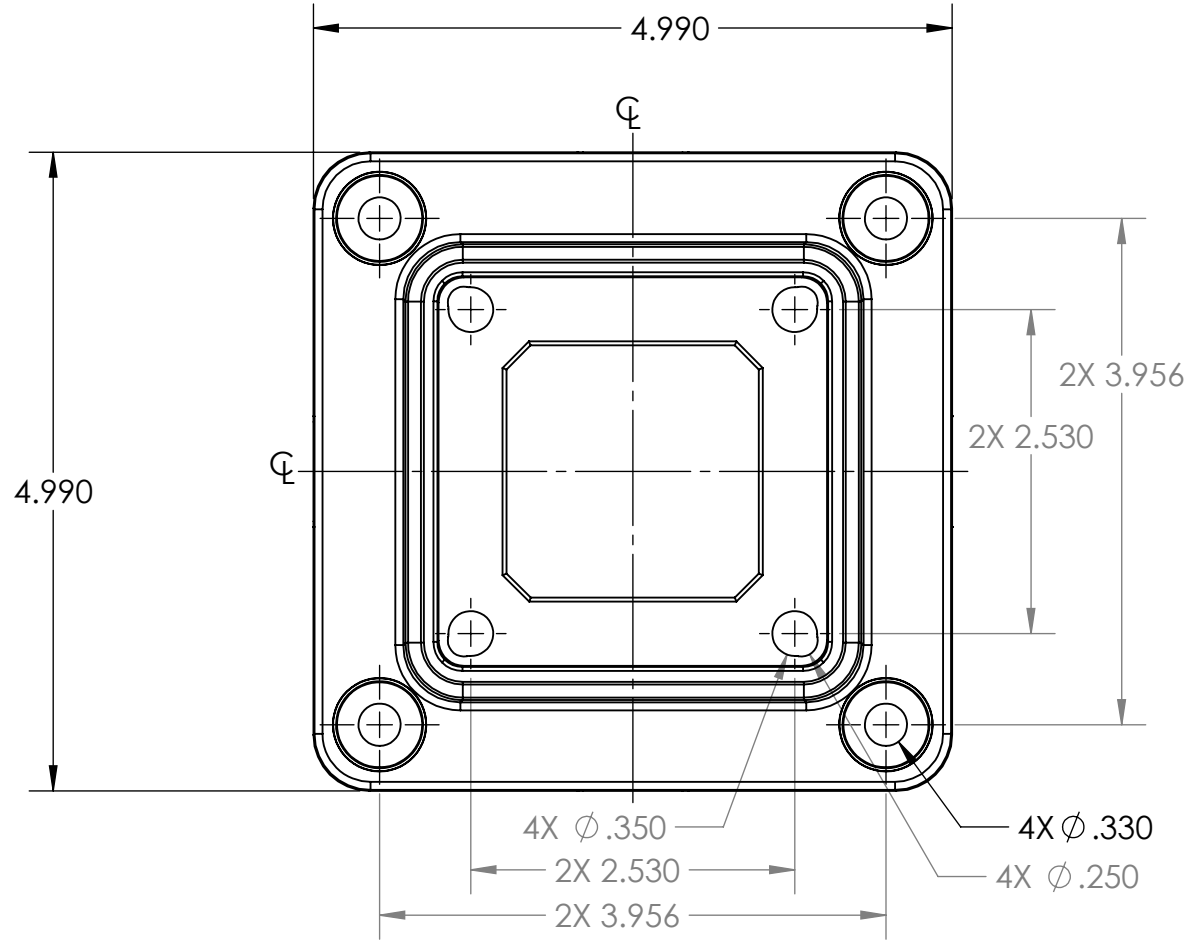
4

3

2

1

REVISIONS - BALLOONS DENOTE CHANGES			
REV.	DESCRIPTION	DATE	APPROVED
C		4/11/2018	ZAG



4

3

2

1

UNLESS OTHERWISE SPECIFIED:		NAME	DATE	
DIMENSIONS ARE IN INCHES		DRAWN	ZAG 4/11/18	
TOLERANCES:		CHECKED		
SURFACE FINISH: 125 RMS		ENG APPR.		
ANGULAR: \pm .5 DEG		MFG APPR.		TITLE:
LINEAR: .X \pm .02		INTERPRET GEOMETRIC TOLERANCING PER: ASME Y14.5-2009		GENERIC DRAWING, 3" POST BASE
THIRD ANGLE PROJECTION:				SIZE DWG. NO.
MATERIAL		PROPRIETARY AND CONFIDENTIAL THE INFORMATION CONTAINED IN THIS DRAWING IS THE SOLE PROPERTY OF UltraLox. ANY REPRODUCTION IN PART OR AS A WHOLE WITHOUT THE WRITTEN PERMISSION OF UltraLox.		B BP04450
FINISH				REV C
DO NOT SCALE DRAWING		SCALE: 1:1.5WEIGHT:		SHEET 1 OF 1

B

B

A

A