

DIVISION: 05 00 00—METALS
Section: 05 52 00—Metal Railings

REPORT HOLDER:

ARIA

EVALUATION SUBJECT:

ALUMINUM RAILING SYSTEM SERIES A800 AND ADA HANDRAILS

1.0 EVALUATION SCOPE

Compliance with the following codes:

- 2018, 2015, 2012, 2009, and 2006 *International Building Code*® (IBC)
- 2018, 2015, 2012, 2009, and 2006 *International Residential Code*® (IRC)

For evaluation for compliance with codes adopted by Los Angeles Department of Building and Safety (LADBS), see [ESR-4224 LABC and LARC Supplement](#).

For evaluation for compliance with codes adopted by the California Office of Statewide Health Planning and Development (OSHPD) and Division of State Architects (DSA), see [ESR-4224 CBC and CRC Supplement](#).

Property evaluated:

Structural

2.0 USES

The Aluminum Railing System Series A800 and ADA Handrails described in this report are limited to exterior or interior use as a guardrail system for balconies, porches, and decks of residential and non-residential buildings constructed in accordance with the IBC and IRC.

3.0 DESCRIPTION

3.1 Railing Systems:

3.1.1 Aluminum Railing System:

The Aluminum Railing System Series A800 are guards consisting of extruded aluminum posts, sub-rail panel with top and bottom channel rails and balusters, bottom-rail support leg, and top and bottom rail covers. The Aluminum Railing System components are produced from 6063-T5 aluminum alloy, the posts are produced from 6005A-T5 aluminum alloy, the post caps are produced from A380 aluminum alloy, and the post base plates are produced of A369 aluminum alloy. The Aluminum Railing System

Series A800 is described by a designated series: Aria (A). The minimum yield and tensile strengths, minimum thickness of the railing components, and manufacturing extrusion process are specified in accordance with the approved quality control documentation. The railing components are available in a white, black or bronze powder coated finish.

3.1.2 ADA Handrails:

ADA Handrails consist of extruded aluminum round hollow pipe with cast-in-place aluminum wall returns and mid supports. The ADA handrails consists of extruded 6063-T5 aluminum alloy and the 90° wall returns and mid supports are produced from A369 aluminum alloy.

The minimum yield and tensile strengths, minimum thickness of the railing components, and manufacturing extrusion process are specified in the approved quality control documentation. The railing components are available in a white, black, bronze, or custom powder coated finish.

3.2 Guard:

The height of the railing assembly is 42 inches (1067 mm) above the walking surface. The top rail cover has a wall thickness of 0.055-inch (1.40 mm); the overall top rail width is 2½-inches (63.5 mm) and the overall top rail depth is 2¼ -inches (57.2 mm). The bottom rail cover has a wall thickness of 0.055-inch (1.40 mm), a width of 1½-inches (38.1 mm), and a depth of 1½-inches (38.1mm). For the sub-rail panels, both top and bottom h-channel rails having varying wall thicknesses between 0.065-inch (1.65 mm) and 0.083-inch (2.11 mm) thick, a width of 1.38-inches (35.1 mm), and a depth of 0.97-inch (24.6 mm). Both top and bottom rail covers and sub-rail panels are available in in 6-foot (1.83 m) and 8-foot (2.44 m) lengths. They are produced from 6063-T5 aluminum alloy and come in a powder coated finish. The maximum railing span for each Aluminum Railing System series is noted in Table 1.

The pickets are hollow rectangular extruded 6063-T5 aluminum. The pickets have a wall thickness of 0.050-inch (1.27 mm), a width of ½-inch (12.7 mm), and a depth of ¾-inch (19.1 mm) and come in a powder coated finish. Each picket is inserted in the pre-punched holes on the top and bottom h-channel rails of each sub-rail panel, with a center-to-center spacing of 4½-inches (114.3 mm).

The posts come in 3-inches (76.2 mm) square hollow extruded 6005A-T5 aluminum with a wall thickness of 0.065-inch (1.65 mm) and come in a powder coated finish. The post cap is produced from A380 aluminum alloy and is installed at the top of the extruded post and measures

3-inches by 3-inches (76.2 mm by 76.2 mm) square. The post base plate is produced from A369 aluminum alloy and is installed at the bottom of the extruded post; it comes in 4.99-inches (126.7 mm) by 4.99-inches (126.7 mm) square for the post. Each post base comes in a powder coated finish. The 6-foot (1.83 m) and 8-foot (2.44 m) railing systems utilize one intermediate bottom rail support leg located at the midspan. Each support leg is a 1½-inches (38.1 mm) square hollow extruded 6063-T5 aluminum with a wall thickness of 0.052-inch (1.32 mm) and comes in a powder coated finish.

The top and bottom rail connector clips are made from 0.080-inch (2.03 mm) thick 5052-H32 aluminum sheets and measures 1-inch (25.4 mm) wide by 0.94-inch (23.9 mm) long by 0.060-inch (1.52 mm) deep, with two 0.16-inch (4.06 mm) diameter holes for securing into the post.

See Figure 1 for details of the components for the aluminum railing system.

The fascia bracket is made from 0.25-inch (6.4 mm) thick 5032-H32 aluminum sheets and measures 3.29-inches (83.5 mm) wide by 5.64-inches (143 mm) long by 6-inches (152.4 mm) in length. The sides have four 0.271-inch (6.9 mm) diameter holes for securing the post to the bracket. The lips have four 0.321-inch (8.2 mm) diameter holes for securing into the supporting substrate. See Figure 3 for component details.

3.3 ADA Handrails:

The ADA Handrails consist of 1½-inch (38.1 mm) outside diameter round hollow pipe and are produced from extruded 6063-T5 aluminum with a nominal wall thickness of 0.230-inch (5.8 mm). The handrail components, 90° wall returns and mid supports and spacers, are produced from A369 aluminum alloy. Each handrail component comes in a powder coated finish. See Table 1 for maximum spans.

See Figure 2 for details of the components for the ADA Handrails

4.0 DESIGN AND INSTALLATION

4.1 Design:

The Aluminum Railing System Series A800 is satisfactory to resist loads specified Section 1607.8.1 for the 2018, 2015 and 2012 IBC (Section 1607.7.1 for the 2009 and 2006 IBC) and IRC Table R301.5 when installed at the maximum clear distance between the posts as noted in Table 1. When the railing is supported on one or both ends by the supporting structure, the maximum clear distance between the post and the supporting structure or between the supporting structures must comply with the spans noted in Table 1.

The ADA Handrails are satisfactory to resist loads specified in Section 1607.8.1 for the 2018, 2015 and 2012 IBC (Section 1607.7.1 for the 2009 and 2006 IBC) and IRC Table R301.5. The maximum clear distance between the supports is 72 inches (1828 mm); see Table 1 for maximum spans.

4.2 Installation:

Installation must be in accordance with the manufacturer's published installation instructions, this report, and guard height and opening limitations provisions specified in Sections 1015 of the 2018 and 2015 IBC (Sections 1013 of the 2012, 2009,2006 IBC) and IRC Section R312. The manufacturer's published installation instructions must be available at the jobsite at all times during installation.

Each top and bottom rail cover snaps over the sub-rail panel's corresponding top and bottom h-channel rails. The pickets are inserted into the pre-punched holes on the top and bottom h-channel rails of the sub-rail panel. The sub-rail panel is then attached to an extrusion post on each end by installing top and bottom rail connector clips with #8 x ¾-inch (19.05 mm) long stainless steel TEK screws. Four screws (two inside and one on each side) per each top and bottom connector clip, as shown in Figure 1. The bottom rail connector clip must be located 3 ¾-inches (95.25 mm) from the top edge of the clip to the bottom of the post extrusion at center. All connector clips must be installed with two #8 x ¾-inch (19.05 mm) long stainless steel TEK screws. Each support leg is fastened at the midspan of the bottom rail with one #8 x ¾-inch-long (19.05 mm) stainless steel TEK screw. Each extruded post is attached to a post base plate with four M8 x 80 mm long stainless-steel lag screws, which are fastened on the underside of the post base plate, as shown in Figure 1.

The post base plate must be fastened to the supporting wood substrate with a minimum specific gravity of 0.50 using either four – ⅜-inch x 6-inch long (9.5 mm x 152.4 mm) GRK RSS wood screws or using four – 5/16-inch x 6 inch-long (7.9 mm x 152.4 mm) wood screws. When the supporting substrate is concrete having a minimum compressive strength of 3700 psi (25.5 MPa), each post base plate must be fastened to the supporting concrete substrate using four ¼-inch x 3 inch-long (6.35 mm by 76.2 mm) corrosion resistant coated concrete anchor bolts.

ADA Handrails must have each support attached to the supporting wood substrate with a minimum specific gravity of 0.49. Each 90° Wall Return and mid support is fastened to the wood substrate using three – 5/16-inch x 4 inch-long (7.9 mm by 101.6 mm) construction lag screws. When each 90° Wall Return and mid support is fastened to 3-inches (76.2 mm) square hollow extruded 6005A-T5 aluminum with a wall thickness of 0.065-inch (1.65 mm), each connection must use three – #10 x 1½ -inch long (38.1 mm) stainless steel TEK screws.

When fascia bracket assembly is used in lieu of post base for 3-inch (76.2 mm) square posts installed over the supporting concrete substrate having a minimum compressive strength of 3900 psi (26.9 MPa), the posts with fascia bracket assembly must be fastened to the supporting concrete substrate using four ¼-inch x 3-inch long (6.35 mm by 76.2 mm) corrosion resistant coated concrete anchor bolts. See Table 1 for spans and Figure 3 for component details.

5.0 CONDITIONS OF USE

The Aluminum Railing System Series A800 and ADA Handrails described in this report comply with, or are a suitable alternative to what is specified in, those codes listed in Section 1.0 of this report, subject to the following conditions:

- 5.1 This product is limited to exterior or interior use as a guardrail system for balconies, porches, and decks of residential and non-residential buildings constructed in accordance with the IBC and IRC.
- 5.2 Installation must comply with this report, the manufacturer's published installation instructions and the applicable code. When the manufacturer's published installation instructions differ from this report, this report governs.
- 5.3 Only those fasteners and fastener configurations described in this report have been evaluated for the

installation of the Aluminum Railing System Series A800 and ADA Handrails. The compatibility of the post base plate's fasteners with the supporting construction, including chemically treated wood, is outside the scope of this report.

- 5.4 The Aluminum Railing System Series A800 and ADA Handrails must be directly fastened to supporting construction having adequate strength and stiffness. Where required by the code official, engineering calculations and construction documents consistent with this report must be submitted for approval. The calculations must verify that the supporting construction complies with the applicable building code requirements and is adequate to resist the loads imparted upon it from the products and systems discussed in this report. The documents must contain details of the attachment to the supporting structure consistent with the requirements of this report. The documents must be prepared by a registered design professional where required by the statutes of the jurisdiction in which the project is to be constructed.
- 5.5 The top rail of the Aluminum Railing System, for use as a handrail, is outside the scope of this report.
- 5.6 The products are manufactured under a quality control program with inspections by ICC-ES.

6.0 EVIDENCE SUBMITTED

Data in accordance with the ICC-ES Acceptance Criteria for Handrails and Guards (AC273), dated June 2017. (editorially revised January 2019)

7.0 IDENTIFICATION

- 7.1 The Aluminum Railing System Series A800 and ADA Handrails described in this report are identified by a stamp, on each individual piece or on the packaging, bearing the report holder's name (Aria), the product name (Aluminum Railing System Series A800 and ADA Handrails), the allowable span, and the ICC-ES evaluation report number (ESR-4224).
- 7.2 The report holder's contact information is the following:

ARIA
5400 OLD FOLSOM ROAD
RAPID CITY, SOUTH DAKOTA 57703
(605)721-7750

TABLE 1 - MAXIMUM GUARDRAIL SYSTEM SPANS¹

PRODUCT	POST HEIGHT (INCH)	MAXIMUM SPAN - IBC (INCH)	MAXIMUM SPAN - IRC (INCH)
ALUMINUM RAILING SYSTEM WITH 3-INCH ALUMINUM POSTS ATTACHED TO WOOD SUBSTRATE ²	42.000	68.300	91.313
ALUMINUM RAILING SYSTEM WITH 3-INCH ALUMINUM POSTS ATTACHED TO CONCRETE SUBSTRATE ³	42.000	69.430	91.313
ALUMINUM RAILING SYSTEM WITH ALUMINUM 3" POSTS AND FASCIA BRACKET ASSEMBLY ATTACHED TO CONCRETE SUBSTRATE ⁶	42.000	55.960	91.313
ADA HANDRAILS WITH 90° BRACKET ASSEMBLY ATTACHED TO WOOD SUBSTRATE ⁴	N/A	72.000	72.000
ADA HANDRAILS WITH 90° BRACKET ASSEMBLY ATTACHED TO 3-INCH ALUMINUM POST WITH BACKER PLATE ⁵	N/A	72.000	72.000
ADA HANDRAILS WITH MIDSPAN BRACKET ASSEMBLY ATTACHED TO WOOD SUBSTRATE ⁴	N/A	72.000	72.000
ADA HANDRAILS WITH MIDSPAN BRACKET ASSEMBLY ATTACHED TO 2-INCH ALUMINUM POST ⁵	N/A	72.000	72.000

For SI: 1 inch = 25.4 mm

¹Spans are from inside face to inside face of post.

²Wood substrate must have a minimum specific gravity of 0.50 where each connection must use either four - 3/8-inch x 6-inch long GRK RSS wood screws for IBC application or four - 5/16-inch x 6 inch-long GRK RSS wood screws for IRC application.

³Concrete substrate must have a minimum compressive strength of 3700 psi where each connection must use four - 1/4-inch x 3-inch long concrete anchor bolts supplied by Aria.

⁴Wood substrate must have a minimum specific gravity of 0.49 where each connection must use three - 5/16-inch x 4-inch long construction lag screws.

⁵Each connection to aluminum post must use three - No. 10 x 1 1/2-inch long stainless steel TEK screws.

⁶Concrete substrate must have a minimum compressive strength of 3900 psi where each connection must use four - 1/4-inch x 3-inch long concrete anchor bolts supplied by Aria. See Figure 3 for component details.

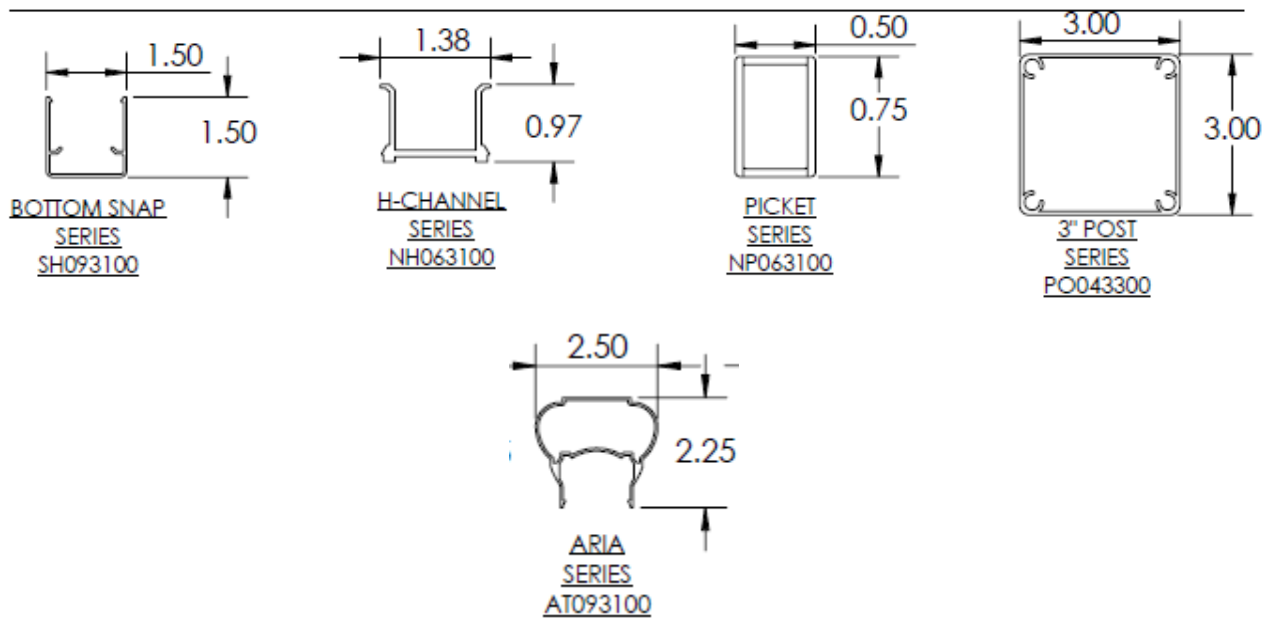
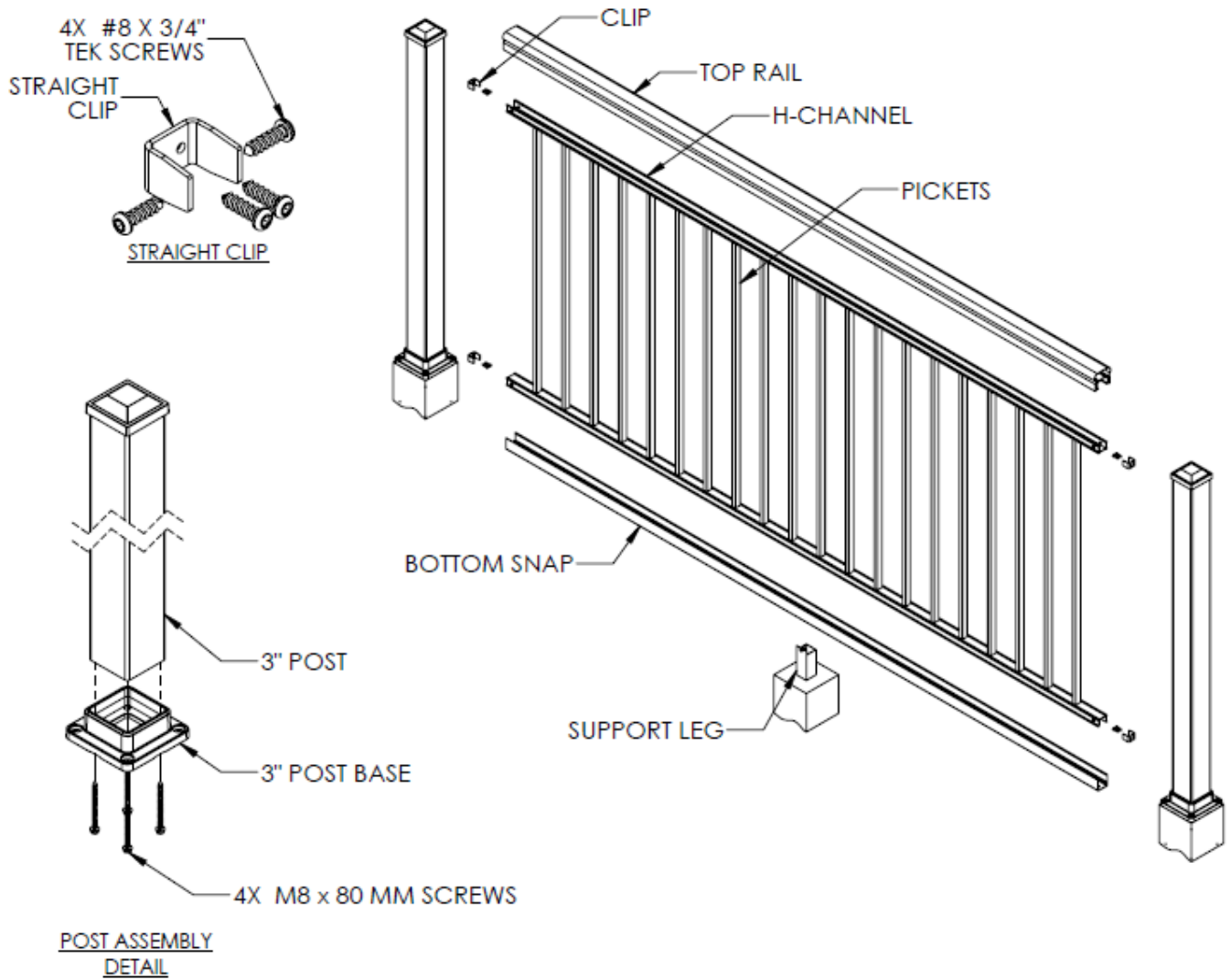


FIGURE 1—TYPICAL GUARDRAIL ASSEMBLY AND COMPONENT PROFILES

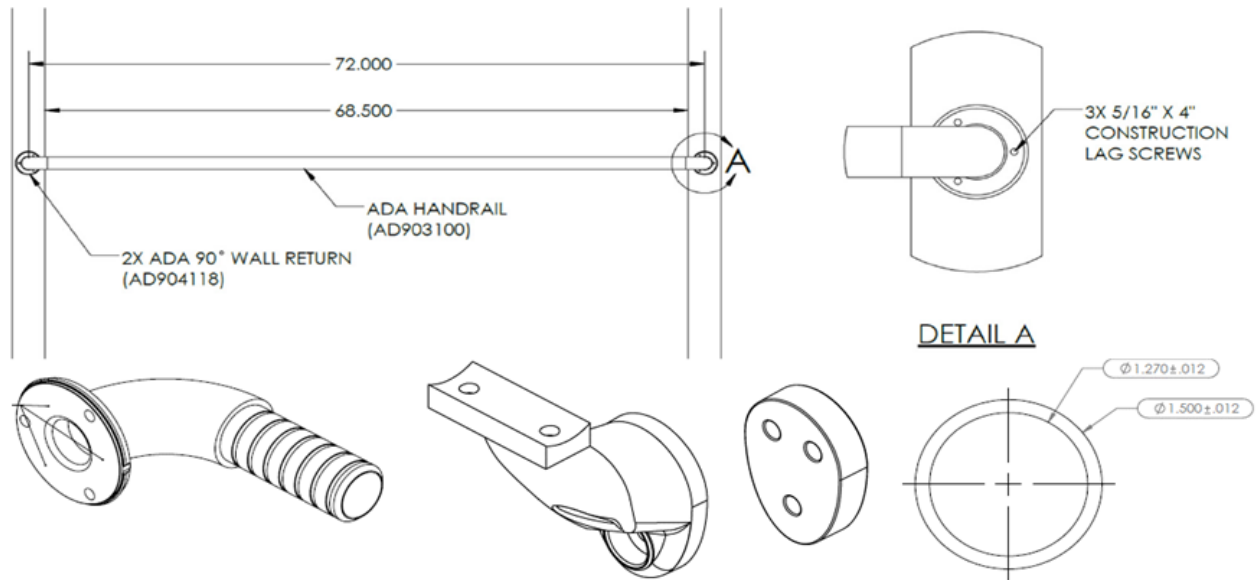


FIGURE 2—TYPICAL ADA HANDRAIL COMPONENTS

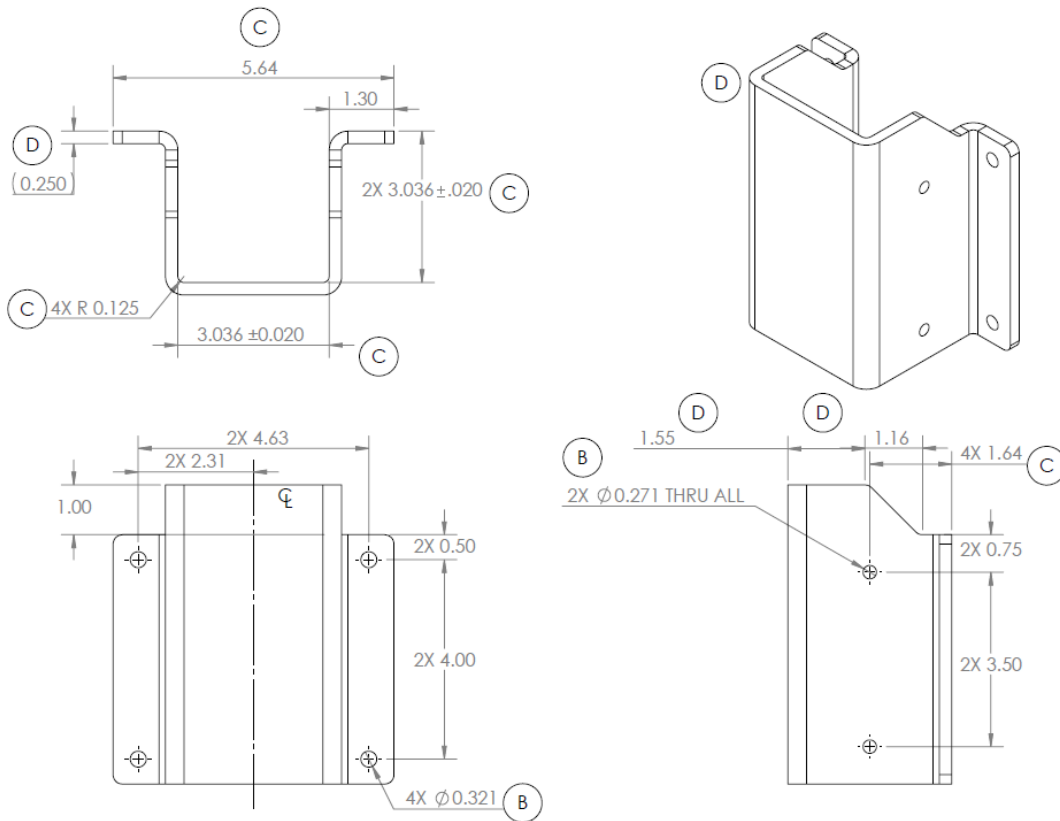


FIGURE 3—FASCIA BRACKET ASSEMBLY FOR 3" POST

DIVISION: 05 00 00—METALS

Section: 05 52 00—Metal Railings

REPORT HOLDER:

ARIA

EVALUATION SUBJECT:

ALUMINUM RAILING SYSTEM SERIES A800 AND ADA HANDRAILS

1.0 REPORT PURPOSE AND SCOPE

Purpose:

The purpose of this evaluation report supplement is to indicate that Aluminum Railing System Series A800 and ADA Handrails described in ICC-ES evaluation report [ESR-4224](#), have also been evaluated for compliance with the codes noted below as adopted by the Los Angeles Department of Building and Safety (LADBS).

Applicable code editions:

- 2020 *City of Los Angeles Building Code* (LABC)
- 2020 *City of Los Angeles Residential Code* (LARC)

2.0 CONCLUSIONS

The Aluminum Railing System Series A800 and ADA Handrails described in Sections 2.0 through 7.0 of the evaluation report [ESR-4224](#), comply with the LABC Chapters 10 and 16 and LARC Chapter 3, and are subject to the conditions of use described in this supplement.

3.0 CONDITIONS OF USE

The Aluminum Railing System, A800 and ADA Handrails described in this evaluation report supplement must comply with all of the following conditions:

- All applicable sections in the evaluation report [ESR-4224](#).
- The design, installation, conditions of use and identification of the Aluminum Railing System Series A800 and ADA Handrails are in accordance with the 2018 *International Building Code*® (IBC) provisions noted in the evaluation report [ESR-4224](#).
- The design, installation and inspection are in accordance with additional requirements of LABC Chapters 10, 16 and 17, as applicable.
- Under the LARC, an engineered design in accordance with LARC Section R301.1.3 must be submitted.

This supplement expires concurrently with the evaluation report, reissued December 2020 and revised January 2021.

DIVISION: 05 00 00—METALS

Section: 05 52 00—Metal Railings

REPORT HOLDER:

ARIA

EVALUATION SUBJECT:

ALUMINUM RAILING SYSTEM SERIES A800 AND ADA HANDRAILS

1.0 REPORT PURPOSE AND SCOPE

Purpose:

The purpose of this evaluation report supplement is to indicate that Aluminum Railing System Series A800 and ADA Handrails described in ICC-ES evaluation report ESR-4224, have also been evaluated for compliance with the code(s) noted below.

Applicable code edition(s):

- 2019 California Building Code (CBC)

For evaluation of applicable chapters adopted by the California Office of Statewide Health Planning and Development (OSHPD) and Division of State Architect (DSA), see Sections 2.1.1 and 2.1.2 below.

- 2019 California Residential Code (CRC)

2.0 CONCLUSIONS

2.1 CBC:

The Aluminum Railing System Series A800 and ADA Handrails, described in Sections 2.0 through 7.0 of the evaluation report ESR-4224, comply with CBC Chapters 10 and 16, provided the design and installation are in accordance with the 2018 International Building Code® (IBC) provisions noted in the evaluation report and the additional requirements of CBC Chapters 10, 16 and 17, as applicable.

2.1.1 OSHPD:

The Aluminum Railing System Series A800 and ADA Handrails, described in Sections 2.0 through 7.0 of the evaluation report ESR-4224, comply with CBC Chapter 10 as amended [OSHPD 1, 1R, 2, 4 and 5], Chapter 16 and amendments [OSHPD 1R, 2, 3, and 5], and CBC Chapter 16A [OSHPD 1 and 4], provided the design and installation are in accordance with the 2018 *International Building Code*® (IBC) provisions noted in the evaluation report and the additional requirements of CBC Chapters 10, 16, 16A, and 17, as applicable.

2.1.2 DSA:

The Aluminum Railing System Series A800 and ADA Handrails, described in Sections 2.0 through 7.0 of the evaluation report ESR-4224, comply with CBC Chapter 10 adopted Section 1014 first paragraph [DSA AC], Chapter 10 [DSA SS and SS/CC], Chapter 11A as amended [DSA AC], Chapter 11B [DSA AC], Chapter 16 as amended [DSA-SS/CC], and CBC Chapter 16A [DSA/SS], provided the design and installation are in accordance with the 2018 *International Building Code*® (IBC) provisions noted in the evaluation report and the additional requirements of CBC Chapters 10, 11A, 11B, 16, 16A, and 17, as applicable.

2.2 CRC:

The Aluminum Railing System Series A800 and ADA Handrails described in Sections 2.0 through 7.0 of the evaluation report ESR-4227, comply with CRC Chapters 3, provided the design and installation are in accordance with the 2018 *International Residential Code*® (IRC) provisions noted in the evaluation report.

This supplement expires concurrently with the evaluation report, reissued December 2020 and revised January 2021.

DIVISION: 05 00 00—METALS
Section: 05 52 00—Metal Railings

REPORT HOLDER:

ARIA

EVALUATION SUBJECT:

ALUMINUM RAILING SYSTEM SERIES A800 AND ADA HANDRAILS

1.0 REPORT PURPOSE AND SCOPE**Purpose:**

The purpose of this evaluation report supplement is to indicate that the Aluminum Railing System Series A800 and ADA Handrails described in ICC-ES evaluation report ESR-4224 has also been evaluated for compliance with the codes noted below.

Applicable code edition:

- 2020 and 2017 *Florida Building Code—Building*
- 2020 and 2017 *Florida Building Code—Residential*

2.0 CONCLUSIONS

The Aluminum Railing System Series A800 and ADA Handrails, described in Sections 2.0 through 7.0 of the evaluation report ESR-4224, complies with the *Florida Building Code—Building* and the *Florida Building Code—Residential*, provided the design and installation are in accordance with the 2018 and 2015 *International Residential Code*® provisions noted in the evaluation report.

Use of the Aluminum Railing System Series A800 and ADA Handrails for compliance with the High-Velocity Hurricane Zone provisions of the *Florida Building Code—Building* and the *Florida Building Code—Residential*, has not been evaluated and is outside the scope of this evaluation report.

For products falling under Florida Rule 61G20-3, verification that the report holder's quality-assurance program is audited by a quality assurance entity approved by the Florida Building Commission for the type of inspections being conducted is the responsibility of an approved validation entity (or the code official, when the report holder does not possess an approval by the Commission).

This supplement expires concurrently with the evaluation report, reissued December 2020 and revised January 2021.