

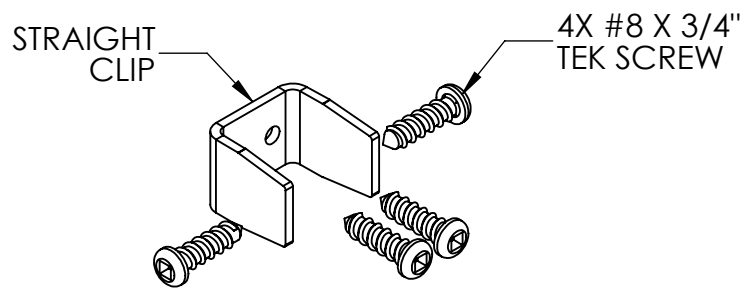
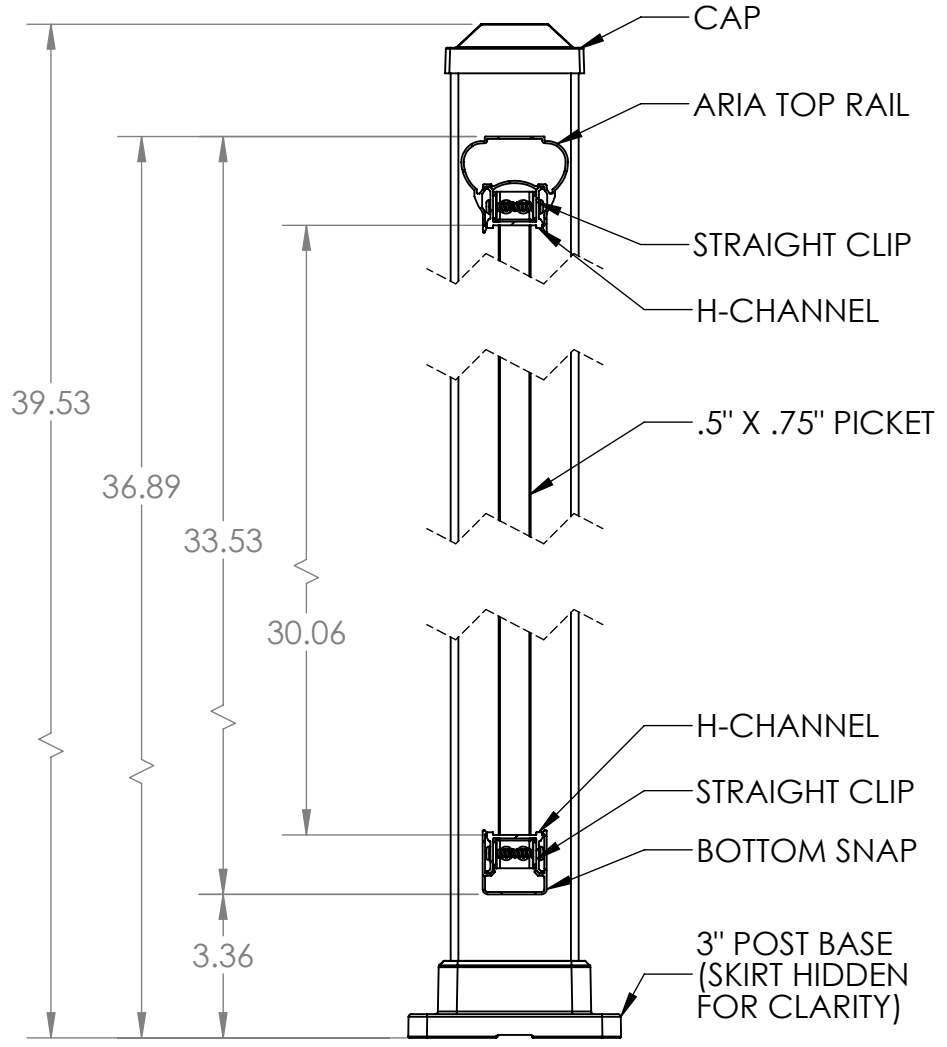
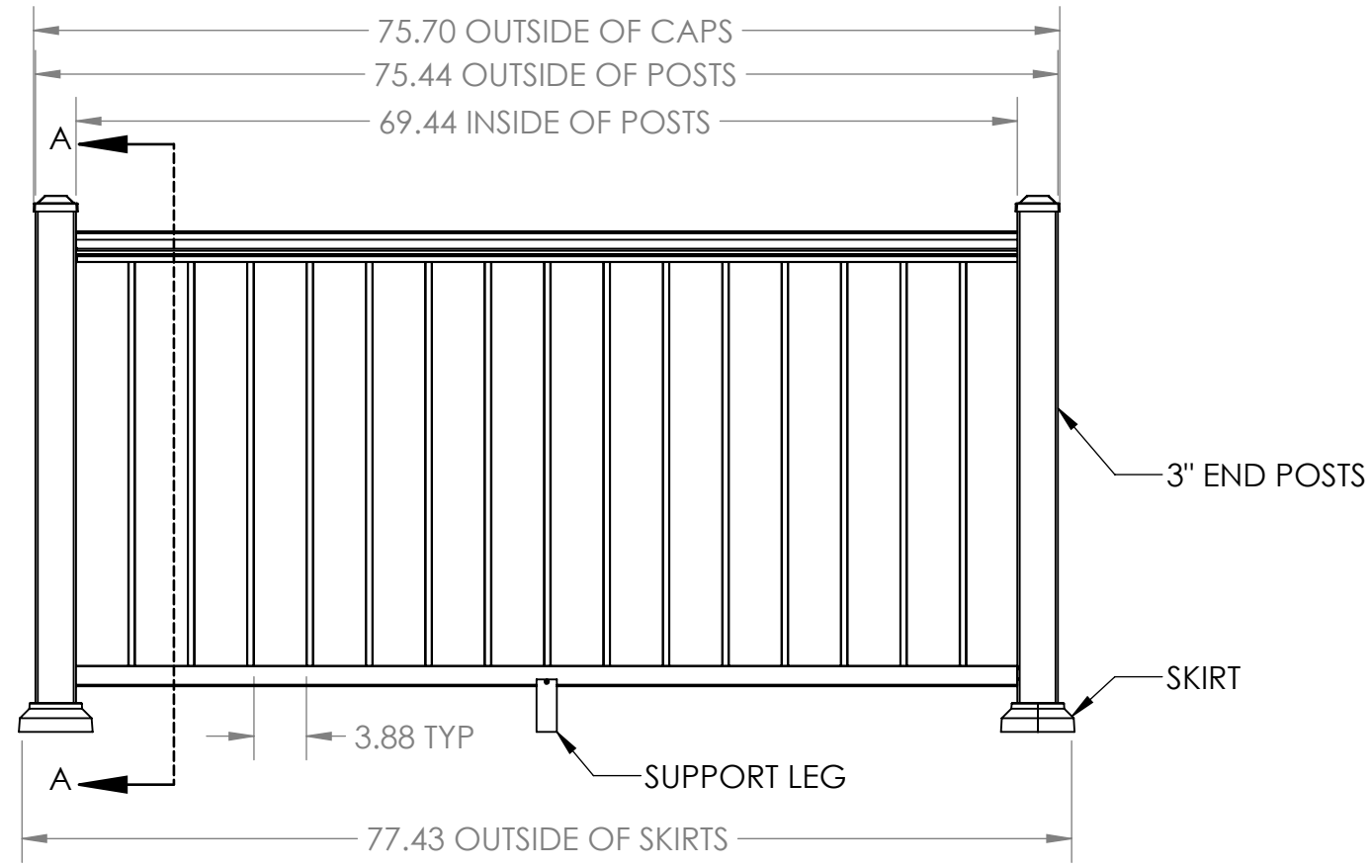
4

3

2

1

REVISIONS - BALLOONS DENOTE CHANGES			
REV.	DESCRIPTION	DATE	APPROVED
A		8/8/2017	ZAG



4X CLIP DETAIL

SECTION A-A

NOTES:  
1. ALL RAIL MUST BE ASSEMBLED AND FASTENED IN ACCORDANCE WITH ULTRALOX'S INSTALLATION INSTRUCTIONS.  
2. AVAILABLE COLORS ARE BLACK - WHITE - BRONZE.

UNLESS OTHERWISE SPECIFIED:		NAME	DATE		
DIMENSIONS ARE IN INCHES		DRAWN	ZAG		8/8/17
TOLERANCES:		CHECKED			
SURFACE FINISH: 125 RMS		ENG APPR.			
ANGULAR: ±.5 DEG		MFG APPR.			
LINEAR: .X ±.02		TITLE: SHOP DRAWING, ARIA TOP RAIL, 3" END POSTS, 36" PICKETS, 6' SECTION			
.XX ±.010		SIZE DWG. NO.		REV	
.XXX ±.005		SCALE: 1:10 WEIGHT:		A	
THIRD ANGLE PROJECTION:		INTERPRET GEOMETRIC TOLERANCING PER: ASME Y14.5-2009			
MATERIAL		PROPRIETARY AND CONFIDENTIAL THE INFORMATION CONTAINED IN THIS DRAWING IS THE SOLE PROPERTY OF UltraLox. ANY REPRODUCTION IN PART OR AS A WHOLE WITHOUT THE WRITTEN PERMISSION OF UltraLox.			
FINISH		SHEET 1 OF 2			
DO NOT SCALE DRAWING					

4

3

2

1