

4

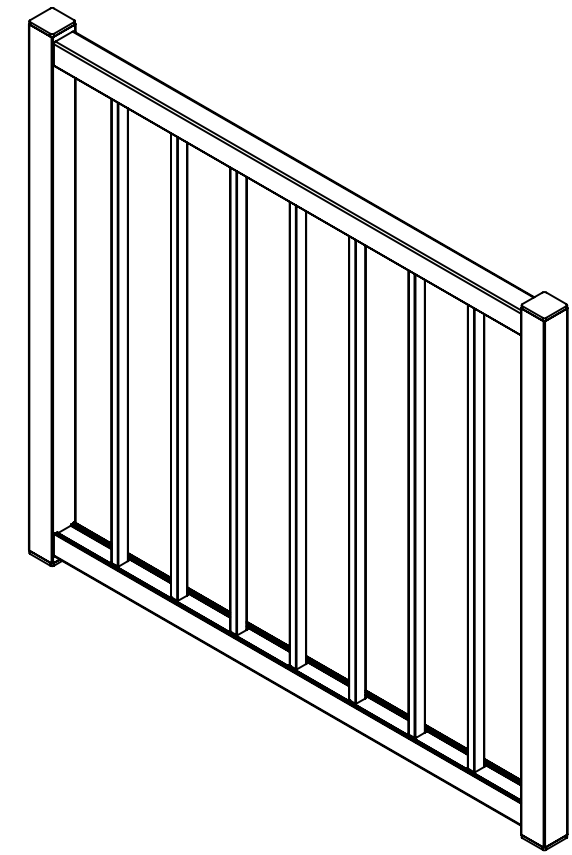
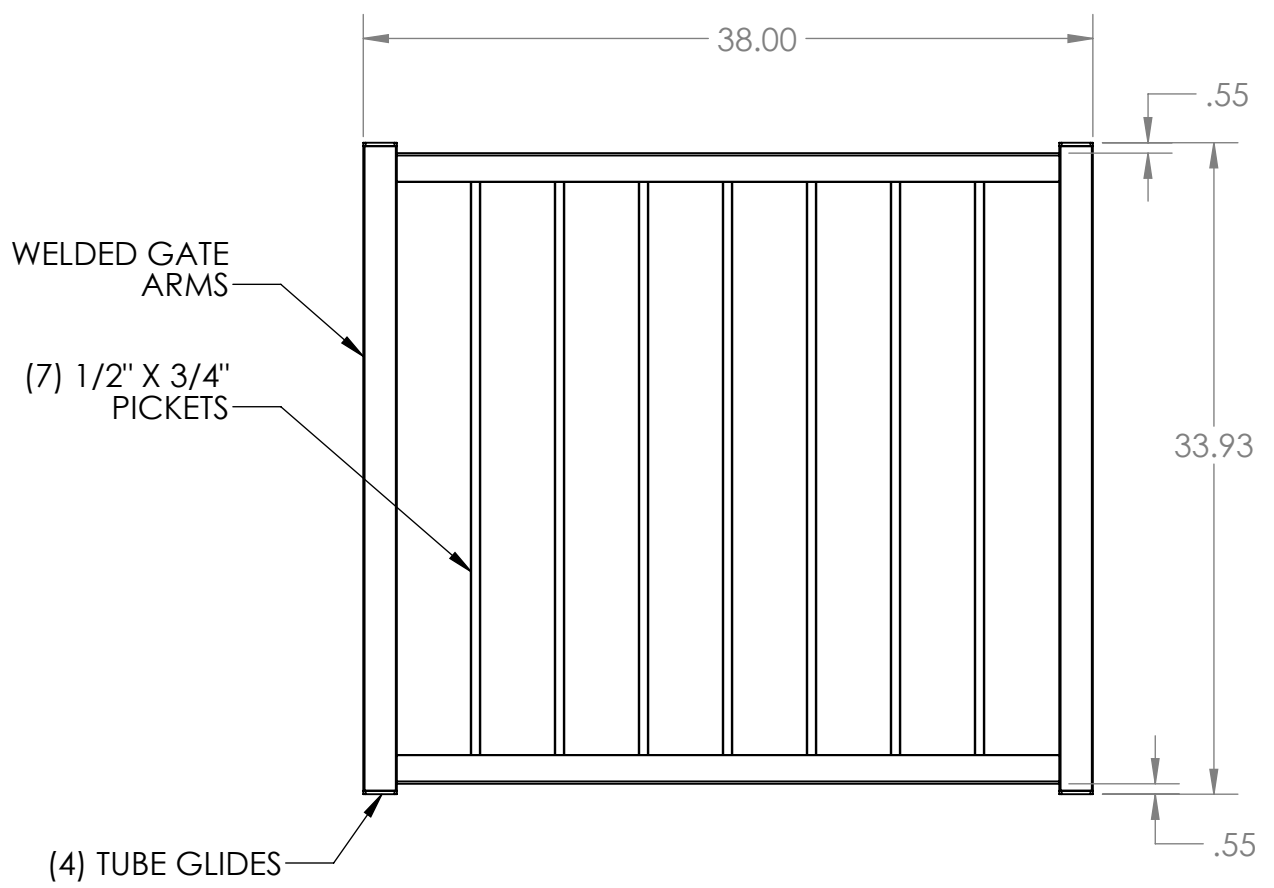
3

2

1

B

B



A

A

UNLESS OTHERWISE SPECIFIED:		NAME	DATE		
DIMENSIONS ARE IN INCHES		DRAWN	ZAG		2/25/18
TOLERANCES:		CHECKED			
SURFACE FINISH: 125 RMS		ENG APPR.			
ANGULAR: ±.5 DEG		MFG APPR.			
LINEAR: .X ±.02		INTERPRET GEOMETRIC TOLERANCING PER: ASME Y14.5-2009			
.XX ±.010		<b>PROPRIETARY AND CONFIDENTIAL</b> THE INFORMATION CONTAINED IN THIS DRAWING IS THE SOLE PROPERTY OF UltraLox. ANY REPRODUCTION IN PART OR AS A WHOLE WITHOUT THE WRITTEN PERMISSION OF UltraLox.			
.XXX ±.005		SIZE DWG. NO. REV <b>B</b>			
THIRD ANGLE PROJECTION:		SCALE: 1:6 WEIGHT: SHEET 1 OF 1			
MATERIAL					
FINISH					
DO NOT SCALE DRAWING					

4

3

2

1