

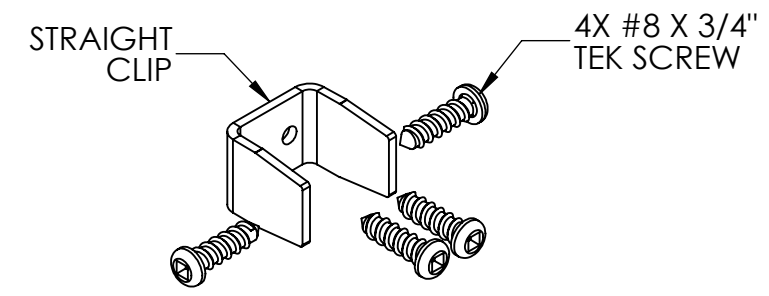
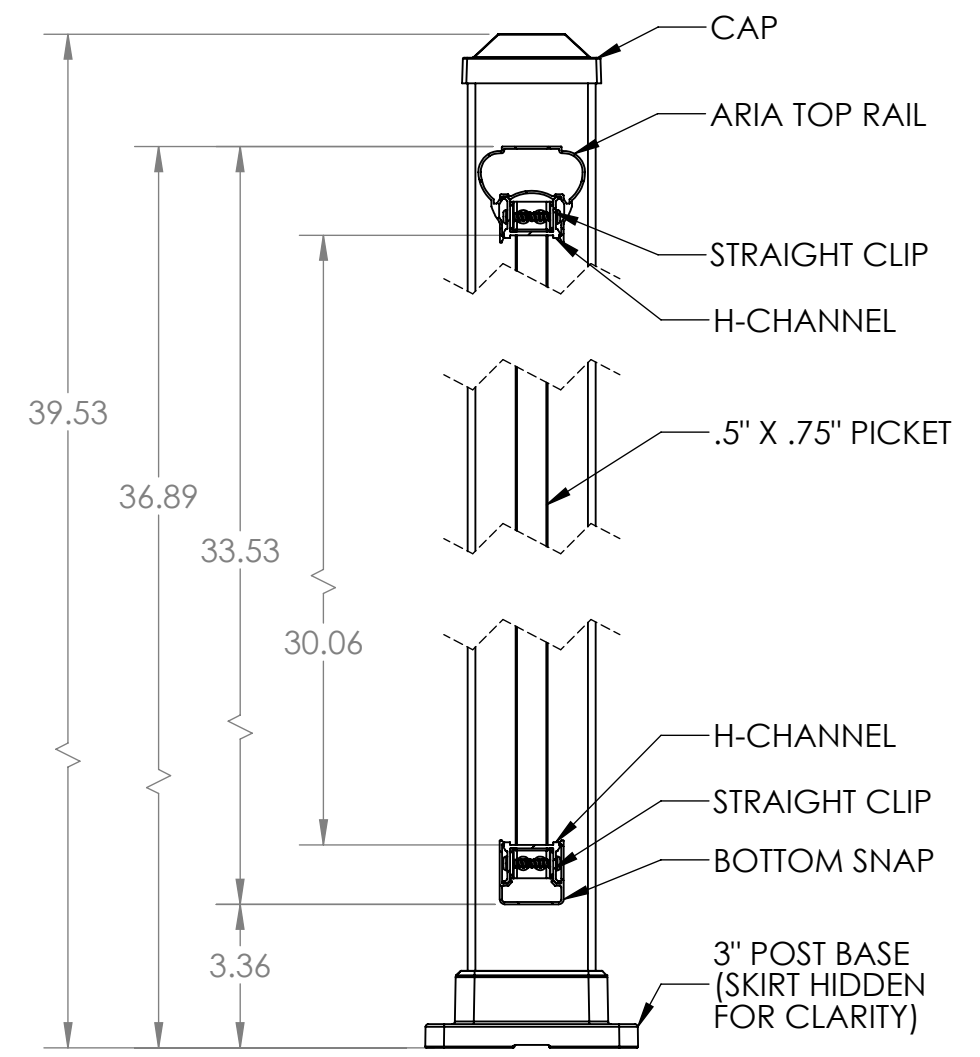
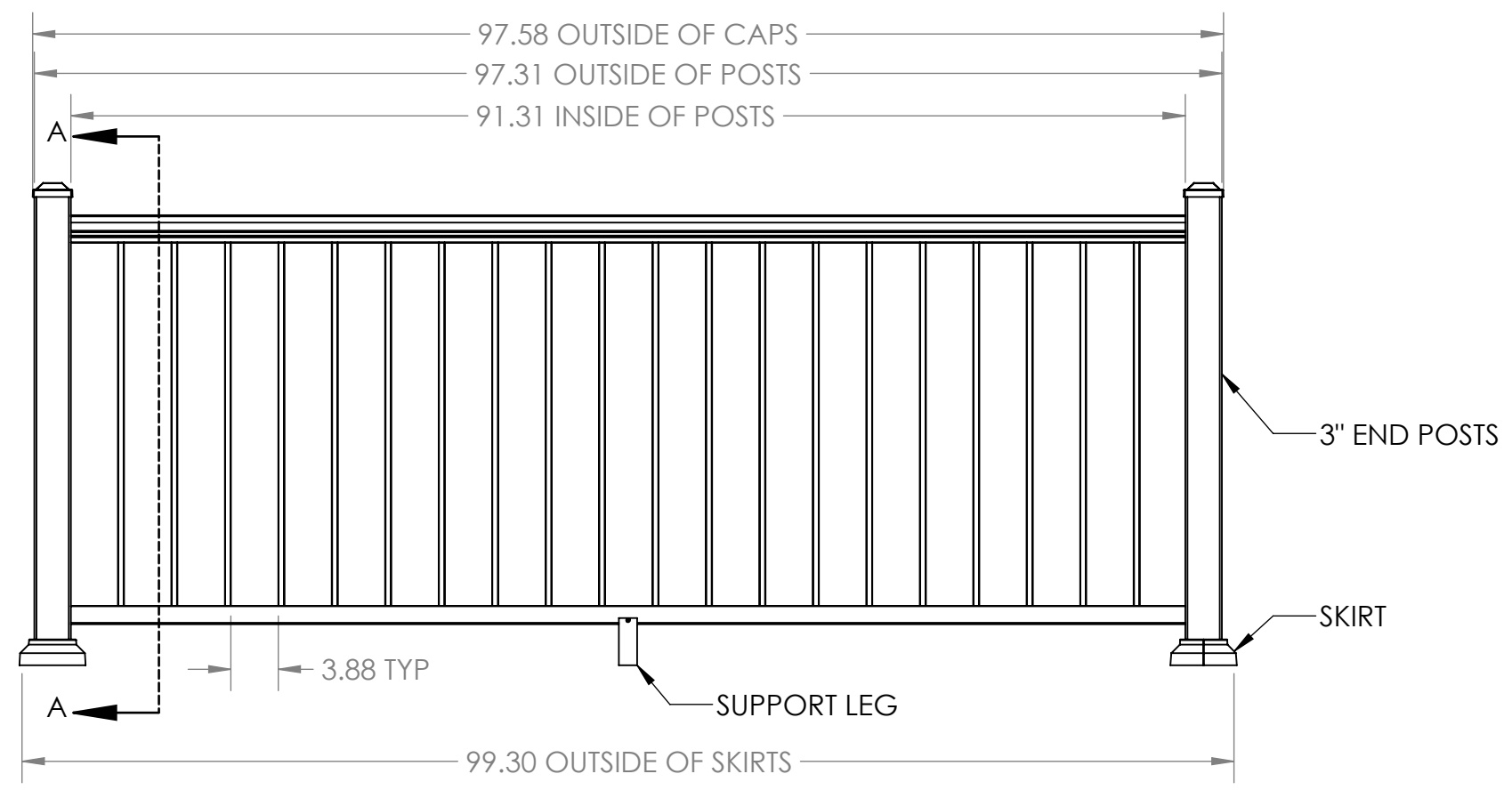
4

3

2

1

REVISIONS - BALLOONS DENOTE CHANGES			
REV.	DESCRIPTION	DATE	APPROVED
A		8/8/2017	ZAG



4X CLIP DETAIL

SECTION A-A

NOTES:
 1. ALL RAIL MUST BE ASSEMBLED AND FASTENED IN ACCORDANCE WITH ULTRALOX'S INSTALLATION INSTRUCTIONS.
 2. AVAILABLE COLORS ARE BLACK - WHITE - BRONZE.

UNLESS OTHERWISE SPECIFIED:		NAME	DATE		
DIMENSIONS ARE IN INCHES		DRAWN	ZAG		TITLE: SHOP DRAWING, ARIA TOP RAIL, 3" END POSTS, 36" PICKETS, 8' SECTION
TOLERANCES:		CHECKED			
SURFACE FINISH: 125 RMS		ENG APPR.			
ANGULAR: ±.5 DEG		MFG APPR.			
LINEAR: .X ±.02		INTERPRET GEOMETRIC TOLERANCING PER: ASME Y14.5-2009		SIZE DWG. NO. REV B A	
.XX ±.010		MATERIAL			
.XXX ±.005		FINISH		SCALE: 1:10 WEIGHT:	
THIRD ANGLE PROJECTION:		DO NOT SCALE DRAWING		SHEET 1 OF 1	

4

3

2

1