

4

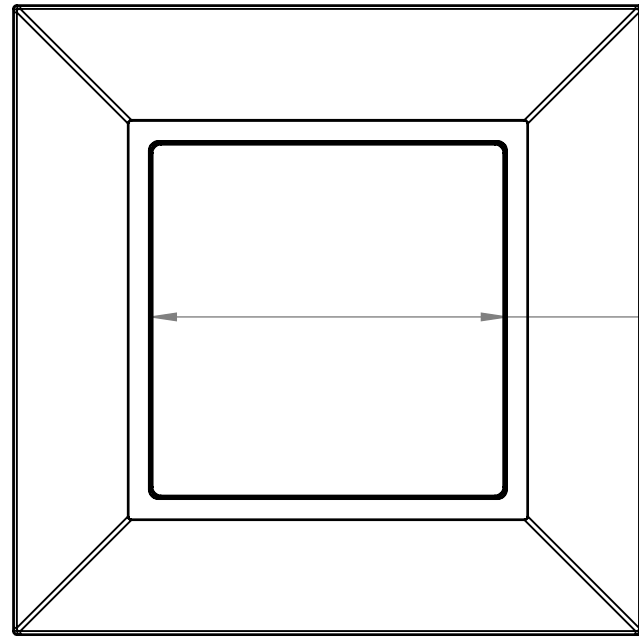
3

2

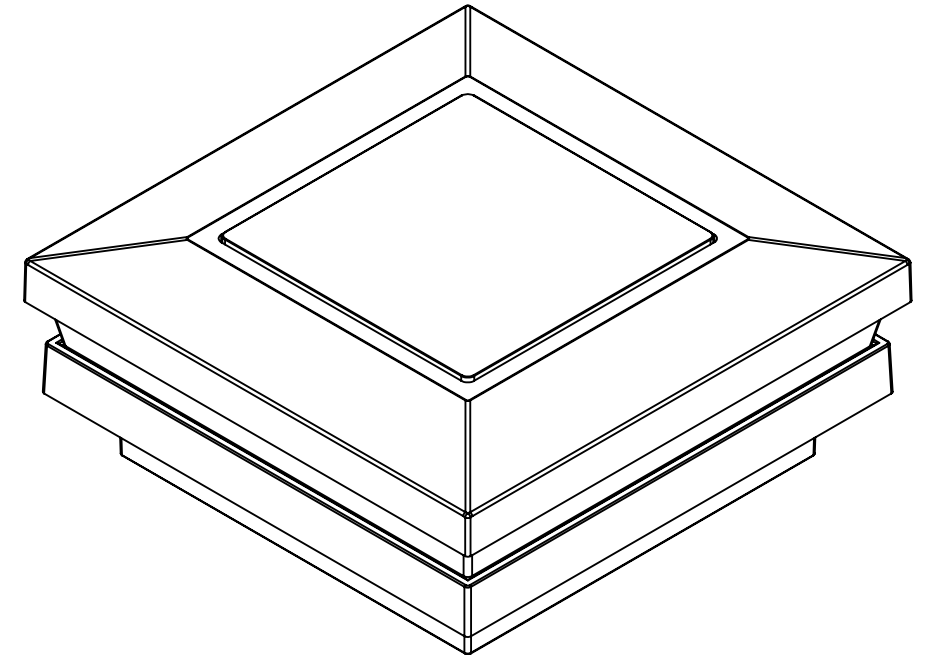
1

THIS DRAWING IS THE PROPERTY OF THE LMT-MERCER GROUP INC., AND EMOBIES A CONFIDENTIAL PROPRIETARY DESIGN IN WHICH THE LMT-MERCER GROUP INC. RETAINS ALL PATENT AND OTHER RIGHTS, INCLUDING EXCLUSIVE RIGHT OF USE, MANUFACTURE AND SALES. IT IS SUBMITTED UNDER A CONFIDENTIAL RELATIONSHIP FOR A SPECIFIC PURPOSE, AND THE RECIPIENT AGREES, BY ACCEPTING THIS DRAWING NOT TO SUPPLY OR DISCLOSE ANY INFORMATION REGARDING IT TO ANY UNAUTHORIZED PERSON.

ZONE		REV	REVISIONS	DESCRIPTION	DATE	APPROVED

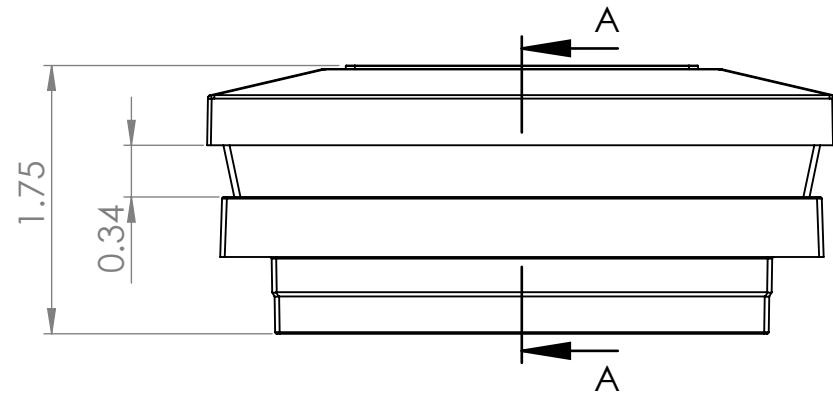


2.31 TYP



B

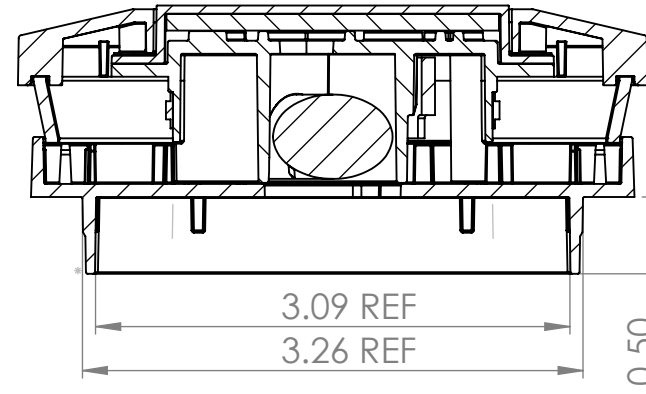
B



1.75

0.34

SECTION A-A



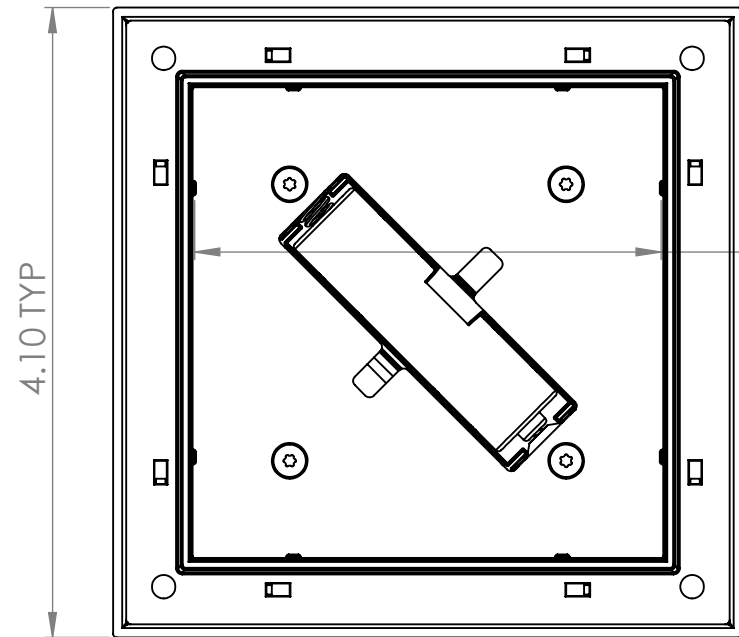
3.09 REF

3.26 REF

0.50

A

A



4.10 TYP

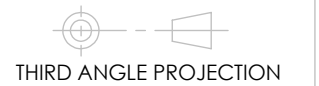
3.02 MIN TYP

TOLERANCES UNLESS SPECIFIED  
 FRACTIONAL ± 1/64  
 ANGULAR ± 1/2°  
 .XX ± .010  
 .XXX ± .002  
 .XXXX ± .0005

**SOLAR POST CAP PERIMETER LIGHT**  
**PART NUMBER: LS045310**

REV  
**A**

SHEET DESCRIPTION:  
 SOLAR ORNAMENTAL CAP LIGHT 3"



DESIGN: B. HEESTAND 3/27/19

APPROVED: R.J.H. 3/27/19

RELEASE DATE: 3/27/19

MATERIAL: VARIOUS SHRINKAGE: N/A

4

3

2

1